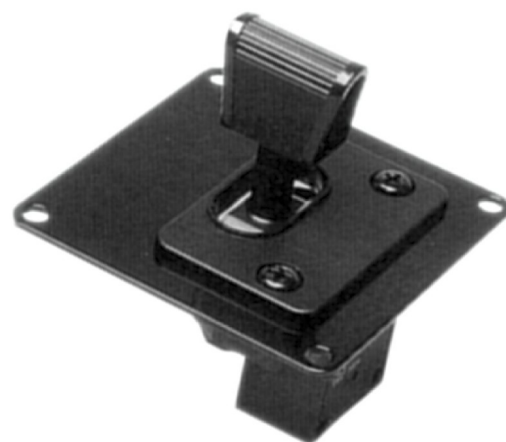
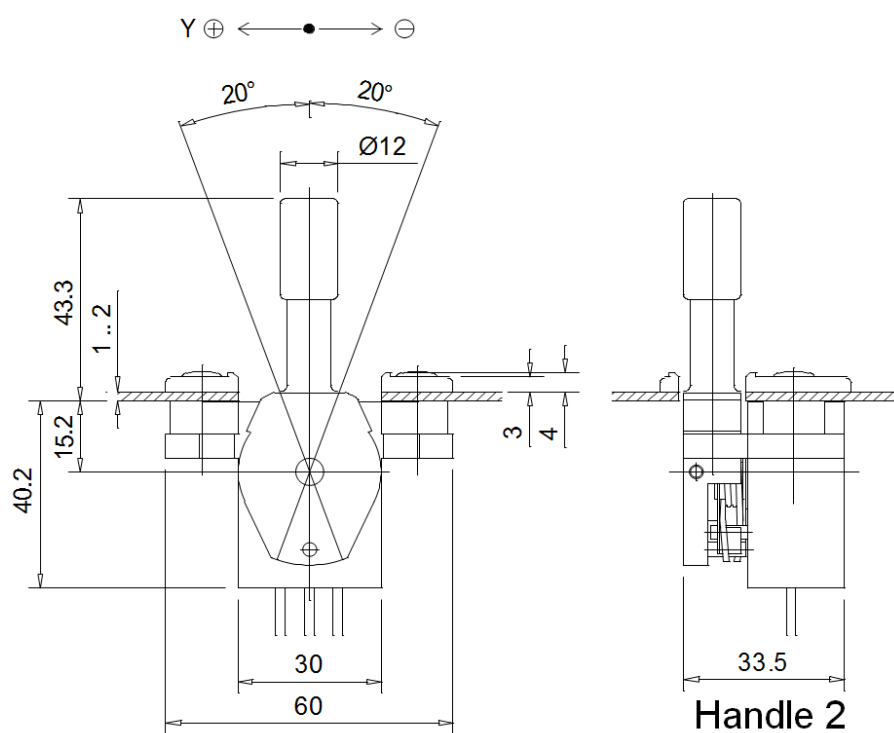
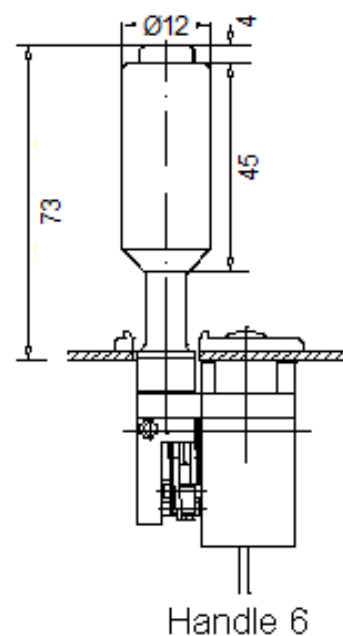
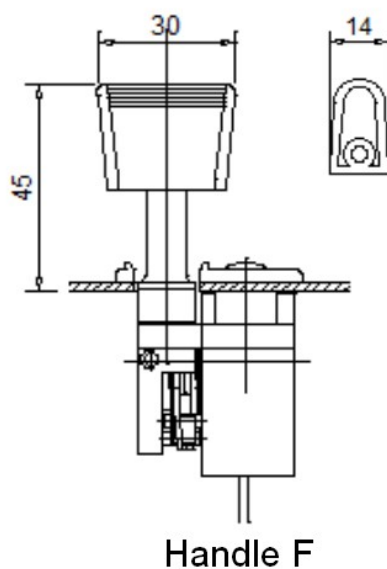
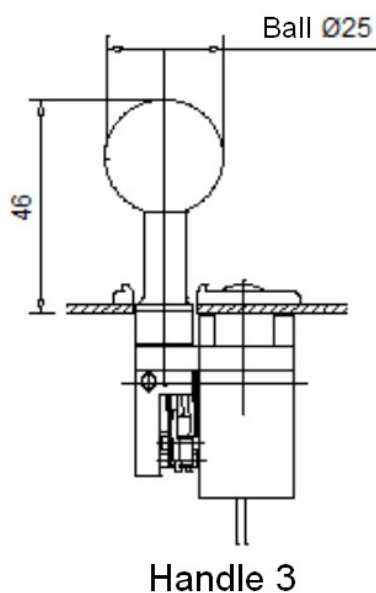


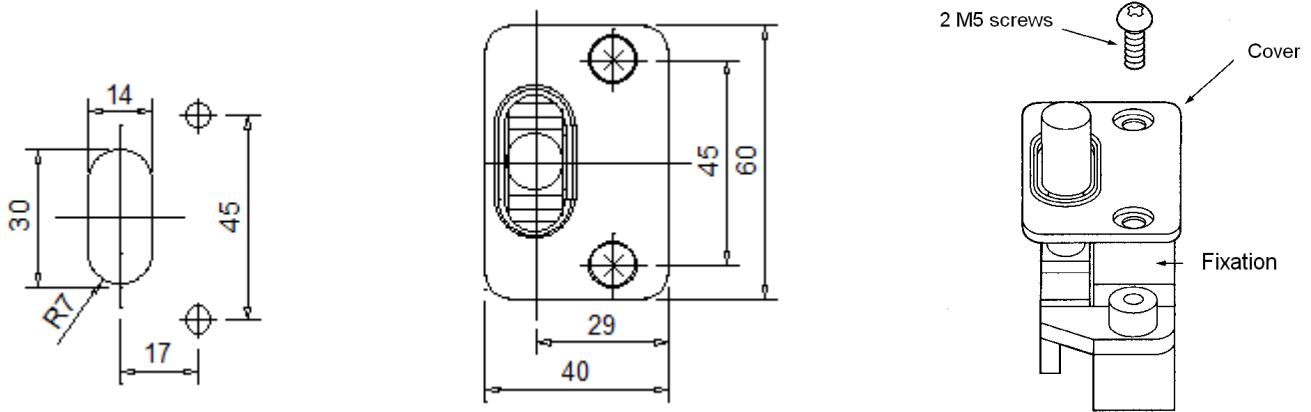
POTENTIOMETRIC JOYSTICK



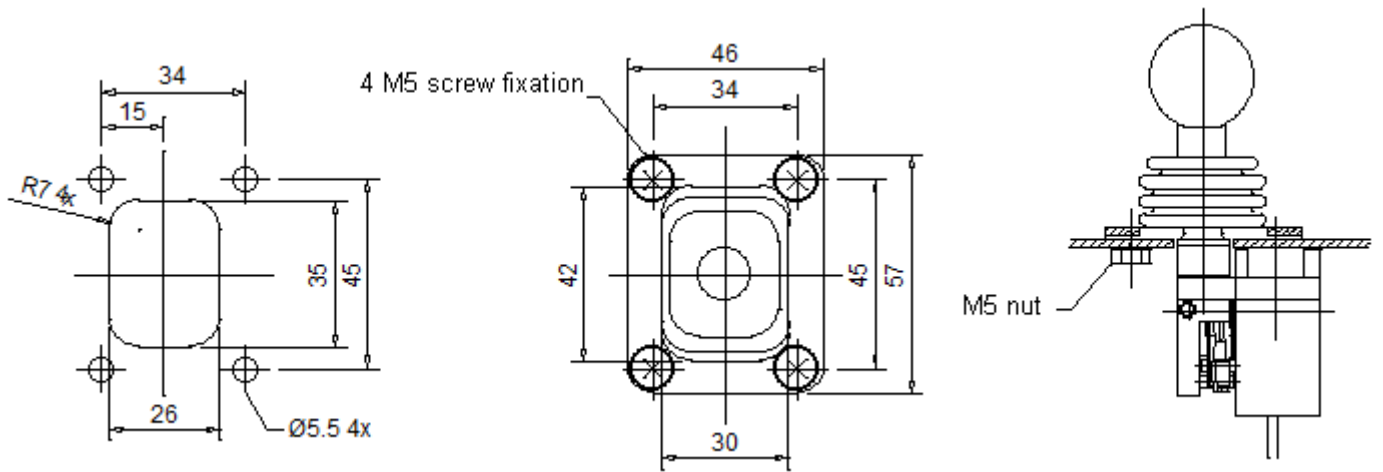
- 1 axis
- Protection IP40
- Protection with rubber boot IP65
- Wide choice of handles
- With or without center-detect
- Optional Hall effect sensors



Mounting template (without rubber boot) :



Mounting template (with rubber boot) :



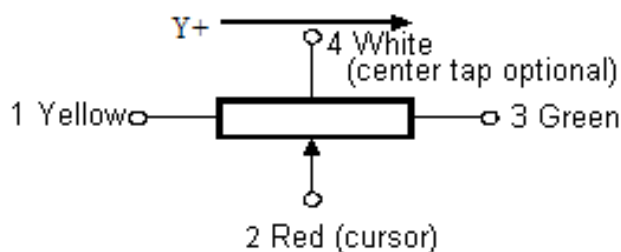
Mechanical characteristics

Angular travel	$\pm 20^\circ$ from the center-tap
Vibration resistance from 10 to 55 Hz	10 G
Shocks resistance	30 G
Weight	Appr, 100 g
Center return repeatability (axis X,Y)	$\leq \pm 1^\circ$
Storage temperature	-30 ... +80 °C
Operating temperature	-20 ... +60 °C
Tracing force with spring return device	Env. 1 N
Sealing	IP40
Sealing with bellows	IP65
Lifetime (movements)	Appr, 2 millions
Front panel thickness	Appr, 2 mm

Potentiometer data

Type K

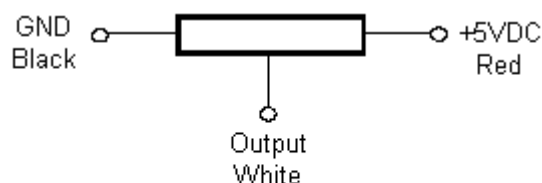
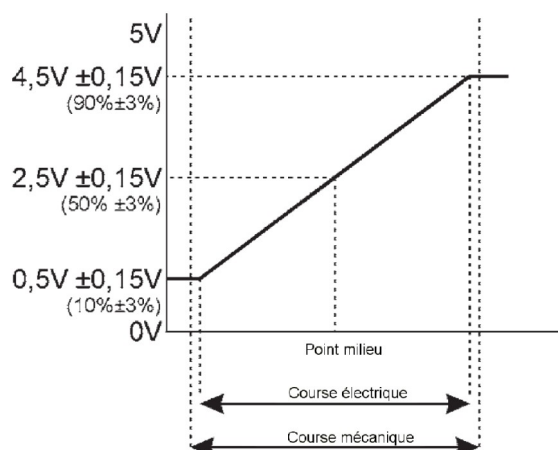
Technology	Conductive plastic
Resistance value	10 k Ω
Tolerance	$\pm 20\%$
Linearity	$\pm 5\%$
Max power at 40°C	0,1 W
Electrical angle	40°
Bearing	Sleeves
Lifespan (movements)	Appr. 2 million
Max wiper current	1 mA



Hall effect data

Type H

Technology	Hall effect
Power supply	5 VDC $\pm 10\%$
Output voltage	0,5 V ... 4,5 V (2,5 V central)
Linearity	$\pm 3\%$
Temperature drift	$\pm 2,5\%$ / full scale
Zero drift	$\pm 0,5\%$ / full scale
Operating temperature	-20 °C ... +65 °C
Lifetime	Appr. 5.000.000 movements



Options and ordering references	Series	Axis	Cover	Reset dev.	Handle	Trim	Sensor	Micro-switch
Potentiometric joystick	829							
1 axis		1						
Rubber boot (IP65)			5					
Square screwed, plane			8					
With spring return				1				
Friction clutch with center detent				5				
Friction clutch (no detent)				6				
Spring return to negative limit (-Y position)				8				
Concave handle					2			
Ball handle					3			
Handle with button					6			
Flat handle					F			
Without mounting plate						1		
With mounting plate						4		
Potentiometer							K	
Hall sensor type H (single output)							H	
Hall sensor type H, dual parallel output							Hp	
Hall sensor type H, dual crossed output							Hx	
Hall sensor type H2442, current loop 4..20 mA, supply 24 VDC							H2442	
Without micro switch								0
Center detect								1
Others								2
Example of order	829	1	5	1	3	1	K	1

For any other special version, please contact us.

- Other resistance value (1K, 5K, 10K),
- Potentiometer with center-tap,
- Additional micro-switches

