

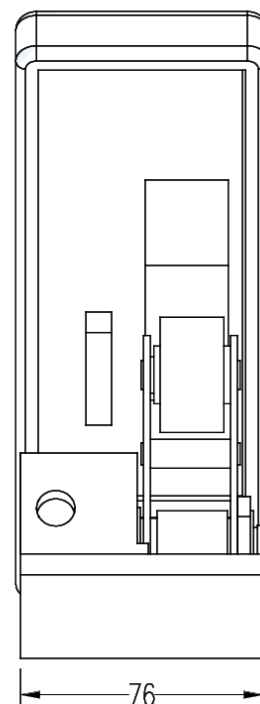
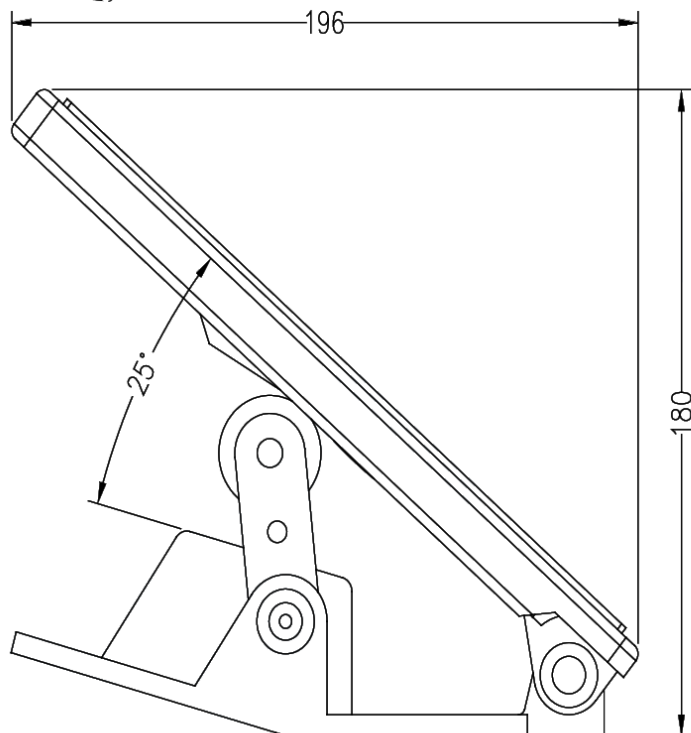
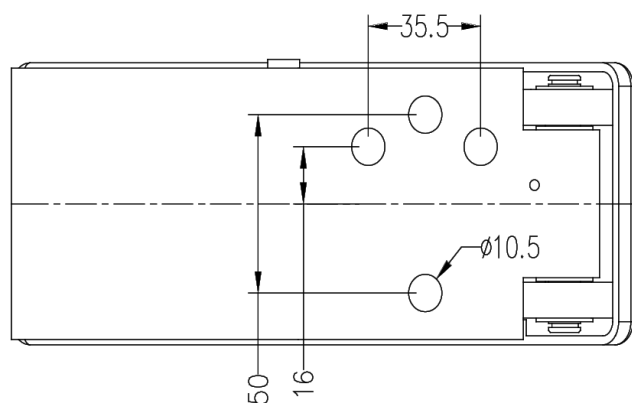
MPF100

ANALOGIC PEDAL

Description :

- The MFP100 pedal is mainly used for hydraulic proportional control and for controlling motors of variable frequencies.
- Easy to install and easy to use.

Dimensions :



- Potentiometer or Hall sensor
- Easy to install
- Optional switch : 125V / 5A, 230V / 3A

Technical characteristics :

Electrical characteristics		
Hall effect sensor	Power supply	5 V \pm 0.5 VDC
	Current consumption	6.5 mA / Hall sensor
	Resolution	Infinite
	Max. voltage	15 VDC
	Reversed polarity max. voltage	14.5 VDC
	Load resistance	5 k Ω
	Median voltage (no load)	48-52 % Vs
Potentiometer	Power supply	24 VDC
	Current consumption	<20 mA
	Resolution	Infinite
	Resistance (10%)	5k Ω ou 10k Ω
	Electrical angle	\pm 32°
	Output voltage rank	0~100 %; 10~90 %
	Median voltage	48%~52 %
	Potentiometer max. load voltage	32 VDC
	Maximum power consumption	0.25 W
	Switch direction	Switch position \pm 3°

Mechanical characteristics	
Mechanical angle	Potentiometer : \pm 32°
Operating torque	5 N (50 N max)
Mechanical lifespan	5 million
Mechanical error	\pm 0.5 %

Environmental characteristics	
Storage temperature	-50°C ~ 80°C
Operating temperature	-20°C ~ 80°C
Sealing	IP64
Vibration	Amplitude \pm 3 g, Frequency:10 Hz-200 Hz
Impact	20 g, 6 ms, Semi-sinus
EMC anti-interference Rank	100 V/m, 30 MHz to 1 GHz, 80 % sin-wave modulation, meet EN50082-2 standard (1995)
EMC emission Rank	Rank B, 150 KHz to 30 MHz, meet EN50081-2 standard (1993)
ESD anti-interference Rank	Rank 4, 8 KV contact discharge, 15 KV air discharge, meet IEC61000-4-2 standard

Ordering options and references		Series	Mechanical configuration	Electrical configuration	Switch	Closed position
Series		MFP100				
Spring return			S			
Hall	Power supply : 5V DC Output : 0 – 5V			H100		
	Power supply : 5 V DC Output : 0.5 – 4.5V			H80		
Potentiometer	Standard			POT (5k ou 10k)		
	Power supply : 24 V DC Output : 0 - 5V			2405		
	Power supply : 24 V DC Output : 0 - 10V			2410		
	Power supple : 24 V DC Output : 4mA - 20mA			2442		
No switch					00	
1 switch					01	
Common closed position						1 à 9
Example of references		MFP100	S	POT (5k)	01	5

Common closed position :

Example : '5' = Central detection on X.

9						
8						
7						
6						
5						
4						
3						
2						
1						