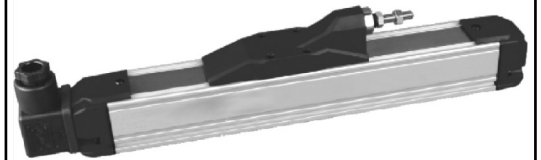


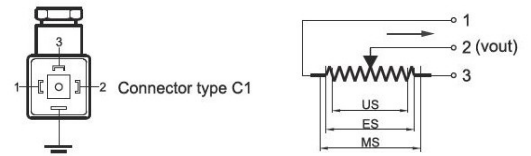
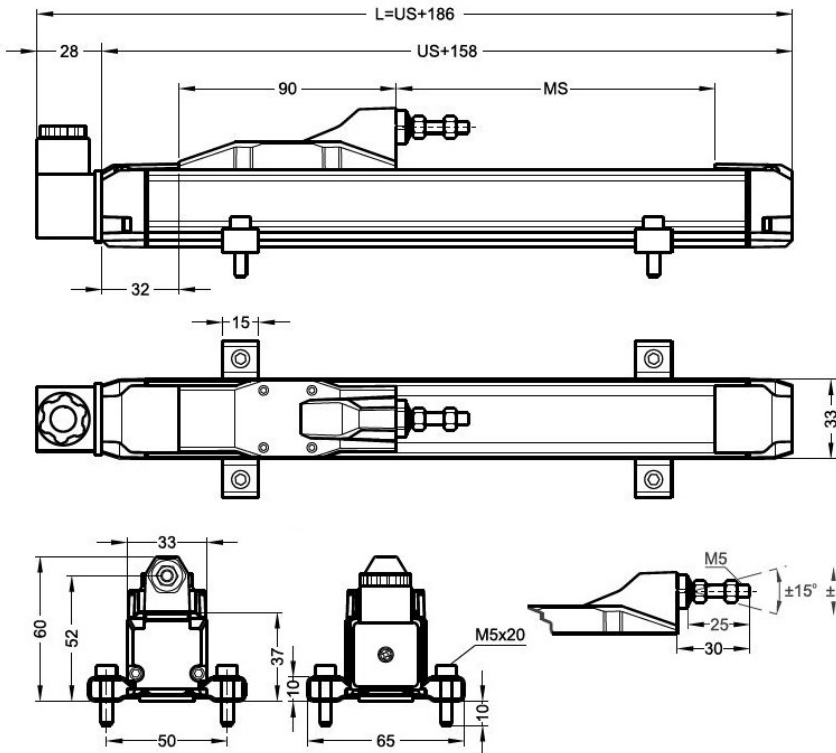
M(E)RPH

LINEAR POTENTIOMETERS STANDARD SERIES

Thanks to its lateral coupling, the linear potentiometers M(E)RPH series allow measurement strokes up to 1950 mm with a reduced dimensions. Moreover, they offer a great linearity as well as a long life and reliability.



- Measuring range 100 - 1950 mm
- Long mechanical life 100 million cycles
- Excellent repeatability <0.01 mm
- Infinite resolution
- 5k Ω , 10k Ω ou 20k Ω
- Integrated electronics available



MRPH (mm)	100	125	130	150	175	200	225	250	275	300	325	350	375	400	450
US (Useful stroke)	100	125	130	150	175	200	225	250	275	300	325	350	375	400	450
MS (Mechanical stroke)	104	129	134	154	179	204	229	254	279	304	329	354	379	404	454
L (Total length)	286	311	315	336	361	386	411	436	461	486	511	536	561	586	636

Integrated electronics increase the size of the housing by 35 mm

MRPH (mm)	500	550	600	650	700	750	800	850	900	1000	1250	1500	1750	1950
US (Useful stroke)	500	550	600	650	700	750	800	850	900	1000	1250	1500	1750	1950
MS (Mechanical stroke)	504	554	604	654	704	754	804	854	904	1004	1254	1504	1754	1954
L (Total length)	686	736	786	836	886	936	986	1036	1086	1186	1436	1686	1936	2136

Integrated electronics increase the size of the housing by 35 mm

sf_mrp_h_2105_e01.odt - Document & product subject to change without notices.



ANDIG S.A.R.L
451, route des Blaves
74200 ALLINGES
<https://www.andig.fr>

Tél : +33 (0)4 50 70 54 54
Fax : +33 (0)4 50 70 56 56
Email : info@andig.fr

Technical specifications		
	MRPH	MERPH
Measurement stroke	100 to 1950 mm	
Independant Linearity	$\pm 0,05$ % (>200mm), $\pm 0,1$ % (130-200mm), $\pm 0,2$ % (75-130mm), $\pm 0,5$ % (<75mm)	
Repeatability	< 0,01 mm	
Resolution	Infinite	
Resistance / Output	5k Ω : 100 ... 600 mm 10k Ω : 650 ... 1000 mm 20k Ω : 1250 ... 1950 mm	4-20mA, 0-20mA 0-10V
Resistance tolerance	± 20 %	/
Load resistance	100k Ω min.	/
Recommended cursor current	< 1 μ A	/
Maximum tension	28V DC max.	15-30 VDC
Electrical connections	Connector 4 pins	
Displacement speed	< 1,5 m/s	
Mechanical life	100 millions movements	
Case dimensions	33 x 33 mm	
Case material	Anodized aluminium	
Mechanical fixing	Variable brackets	
IP degree	IP 40 (IP53 if mounted upside down)	
Operating temperature	-20°C à +80°C	
TStorage temperature	-30°C à +90°C	

Model	Measurement stroke (mm)	Linearity (%)	Value / Output	Connector
MRPH	500	D	5K	C1
MRPH : Standard MERPH : Integrated electronics	100 ... 1950 mm	D : Standard	5K : 5 k Ω 10K : 10 k Ω 20K : 20 k Ω V10 : 0-10V I04 : 4-20mA I20 : 0-20mA	C1 : 4 pin connector

→ Note: Mounting flanges and 4-point connector provided.