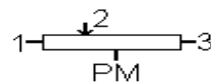
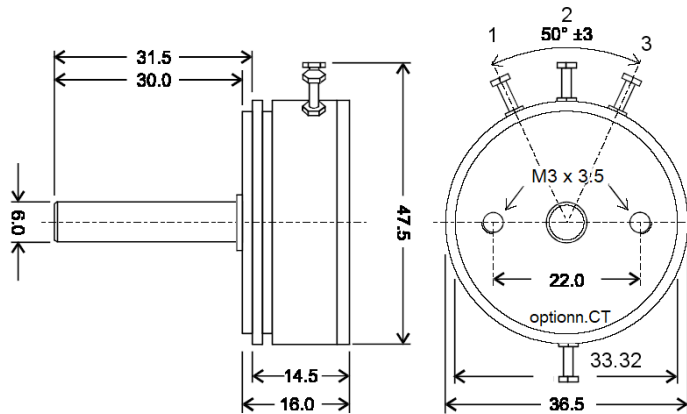


P15P

WIREWOUND POTENTIOMETER



- 1 turn endless
- Linearity $\pm 0.25\%$
- Power 4 W
- Servo mount



Optionnal center tap

Electrical specifications	P15P
Description	1 turn endless
Std values (Ω)	10/20/47/100/220/470/1k/2k/2k2/4k7/5k/10k/22k/47k/100k
Tolerance (%)	± 5
Independant linearity. (%)	± 0.25
Residual resistance for values > 500 Ω	< 1/1000 of total Resistance
Residual resistance for < 500 Ω (Ω)	< 0.5
Dielectric strength	500 V DC / 1 min.
Electrical angle ($^\circ$)	355 \pm 5
Power rating at 70 $^\circ$ (W)	4
Temperature drift (PPM/ $^\circ$ C)	< 50
Electrical noise (ENR)	< 100

Mechanical specifications	
Mechanical angle ($^\circ$)	-
Life expectancy (turns)	3 000 000
Rotational torque (N.cm)	< 0.7
Radial backlash (mm)	0.1
Axial backlash (mm)	0.05
Bearing	Ball bearing

Environmental specifications	
Operatingl temperature ($^\circ$ C)	-55 .. +125
Shaft material	Stainless steel
Terminals	Tinned brass
Housing	Duroplastic W5257

Option :

Different shaft diameter and length, screwdriver slot.
Shaft with rear extension (diam. 3 mm, length 30 mm or different)
Tolerance $\pm 3\%$, $\pm 1\%$

Ganged up to 12 potentiometers.

Neutral zone, shunts, additional terminals, center tap

Different mechanical & electrical angles

Optional mounting kit : Bag of 3 SFN2 fixing nails (to be specified when ordering)

Page left blank

sf_p15p_1912_e08 - Document & produit soumis à modifications sans préavis.



ANDIG S.A.R.L
451, route des Blaves
74200 ALLINGES
<https://www.andig.fr>

Tél : +33 (0)4 50 70 54 54
Fax : +33 (0)4 50 70 56 56
Email : info@andig.fr