

SENSOFOIL ACCESSORIES

Contact marble
Pressure spring
Spring loaded ball plunger



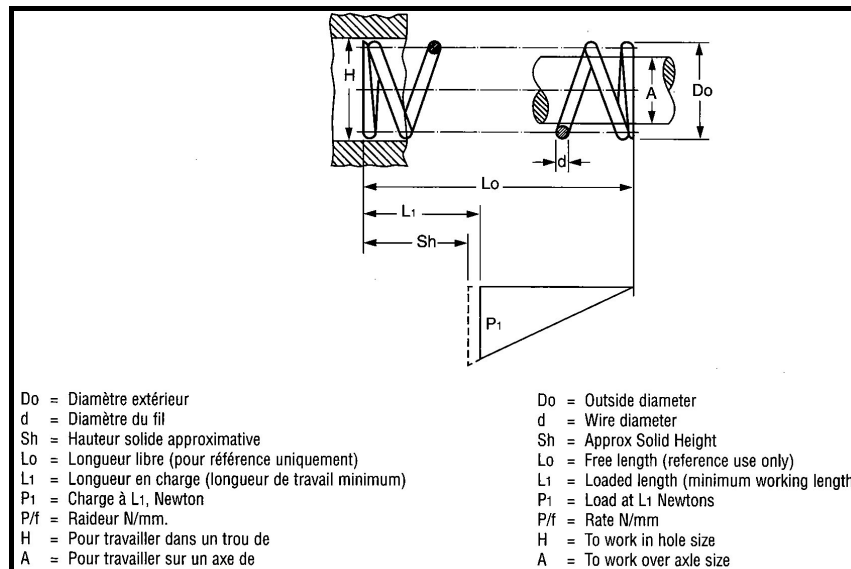
Contact marble

Reference	Bille-3
Material	Polyacétal
Finishing	Grade 2
Diameter (mm)	3

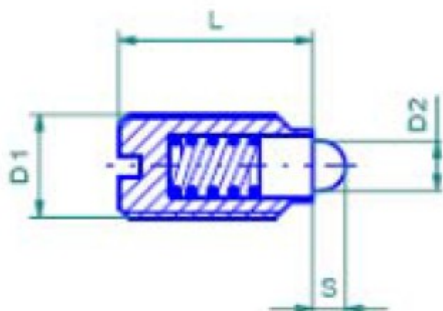
Pressure spring

	Ressort-30	Ressort-77	Ressort-200*	Ressort-477	Label
Material	DIN17223/C (stainless steel DIN17124 on demand)				-
External diameter	2,70	2,75	2,82	2,90	Do
Wire diameter	0,2	0,25	0,32	0,40	d
Free length	5,4	4,9	4,7	4,3	Lo
On load length	1,6	1,9	2,4	2,8	L1
Shaft diameter	2,0	1,9	1,9	1,8	A
Drilling diameter	3,1	3,1	3,1	3,3	H
Load (N)	1,20	2,31	4,69	7,16	P1
Rigidity (N/mm)	0,31	0,77	2,06	4,77	P/f
Length when wires are joined	1,3	1,6	2,1	2,6	Sh

* = preferential choice

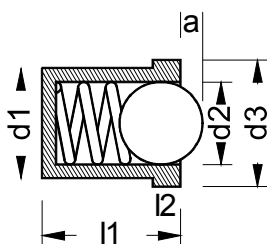


Spring loaded ball plunger with threading



Specifications						
Ord. Code	D1	L	S	D2	Force	Matériau
60300001	M6x1,0	14mm	2mm	2,7mm	1 to 3N, for SENSOFOIL	Housing : stainless steel 1.4305 Spring : stainless steel 1.4310 Wiper : POM/Derlin
60300002	M6x1,0	14mm	2mm	2,7mm	2 to 6N, for SENSOFOIL HYBRID	

Spring loaded ball plunger



D1 +0.1 0	d2	d3	l1	l2	a	Pressure (N) F1	Pressure (N) F2
4	3	4.6	5	1	0.8	2.5	6.5

sf_accessenso_1412_e04 - Document & produit soumis à modifications sans préavis.