

MCB-487

HOUSING B557

USB joystick interface in B557 housing

The USB joystick interface MCB-487 is now equipped with an ABS case, making it an interface that can be easily integrated into your existing systems. It will easily find its place thanks to its mounting system on any type of surface, horizontal or vertical,

The case has 2 screw terminals to facilitate the connection between the joystick and the interface. The maximum section of the cables that can be connected to the screw terminal is 1.31mm²

The color is black as standard, but can be adapted to your graphic charter.

Contact us for more information.



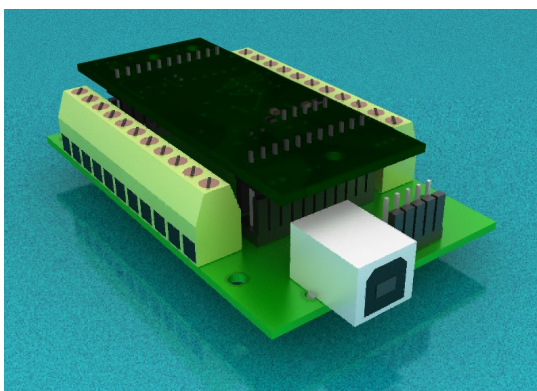
- ABS Housing
- Screw terminals blocks

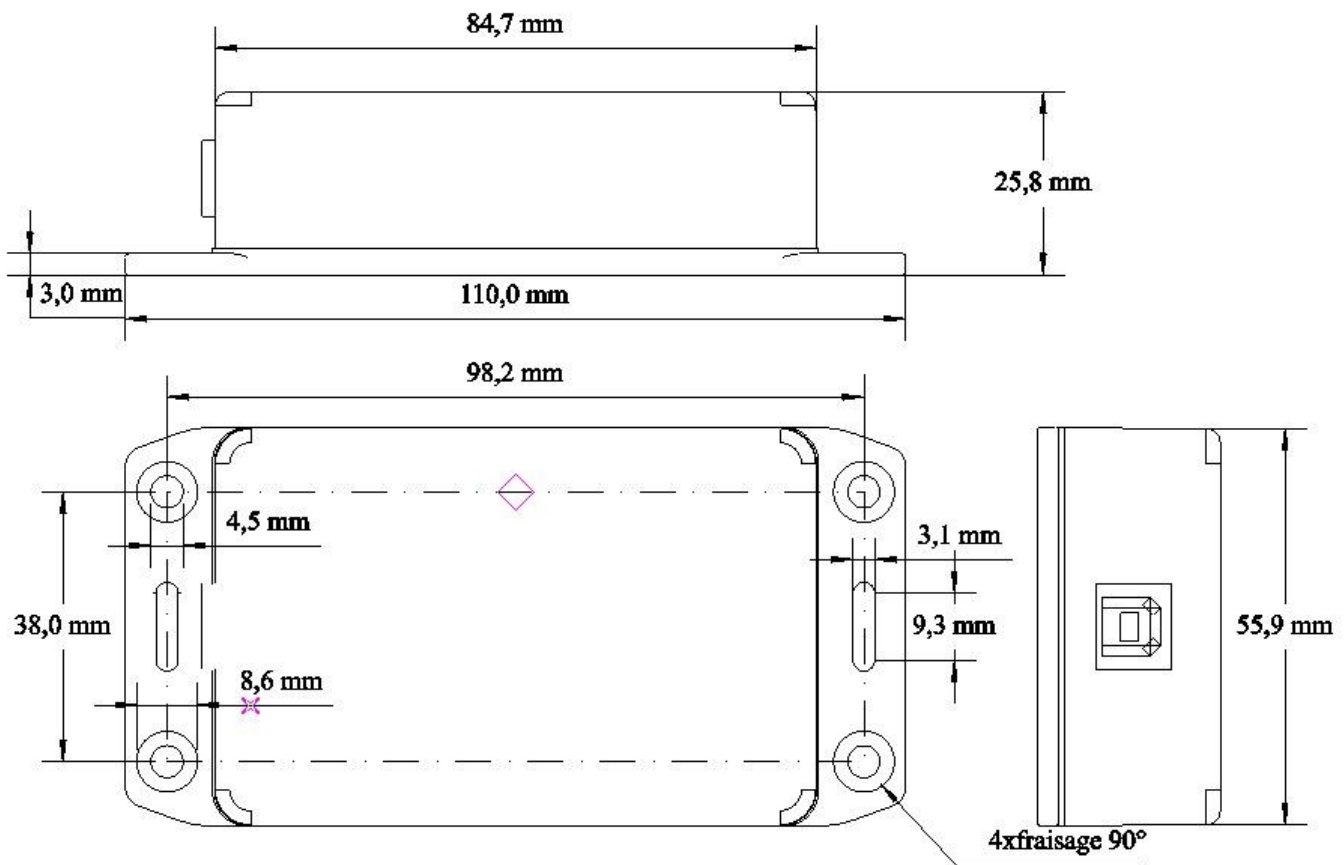
General specifications of MCB-487

Power supply voltage	5 VDC (by USB)
Power consumption Work	~ 30 mA + Sensors
Standby consumption	< 2 mA
Operating temperature	0..70 °C
Interface	USB B Type
Dimensions (mm)	77x33

B557 Case Specifications

Dimensions	110x56x26 mm
Matériau	ABS
Color	Black
Mass with MCB-487	0,1 kg





Wiring : the connectors of MCB-487 JP1 and JP2 are copied on screw terminals with pitch 3,81 mm.

